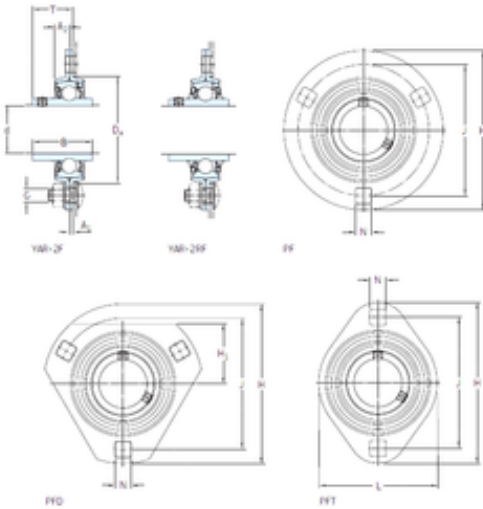




TBD Bearing Machinery Co., Ltd



SKF PFD 25 WF bearing units

Bearing No. PFD 25 WF

Bore Diameter	25 mm
d	25 mm
Da	60 mm
A1	2 mm
B1	44,4 mm
G	8 mm
H	95 mm
H1	34 mm
J	76 mm
L	—
N	8,7 mm
T	28,9 mm
A2	9 mm
Weight	0,35 Kg
Basic dynamic load rating (C)	14 kN
Basic static load rating (C0)	7,8 kN
Housing material	Pressed steel
A ₁	2 mm
A ₂	9 mm
B	34.9 mm
B ₄	4.75 mm
D _a min.	56 mm
H ₁	34 mm
s ₁	26.9 mm
Basic dynamic load rating C	14 kN
Basic static load rating C ₀	7.8 kN

PFD 25 WF Bearing 2D drawings and 3D CAD models



TBD Bearing Machinery Co., Ltd

Fatigue load limit P_u	0.335 kN
Permissible radial housing load max.	3.6 kN
Mass unit	0.36 kg
Thread grub screw G_2	M6x0.75
Hexagonal key size for grub screw N	3 mm
Recommended tightening torque for grub screw	4 N · m
Recommended diameter for attachment bolts, mm G	8 mm
Recommended diameter for attachment bolts, inch G	0.3125 in