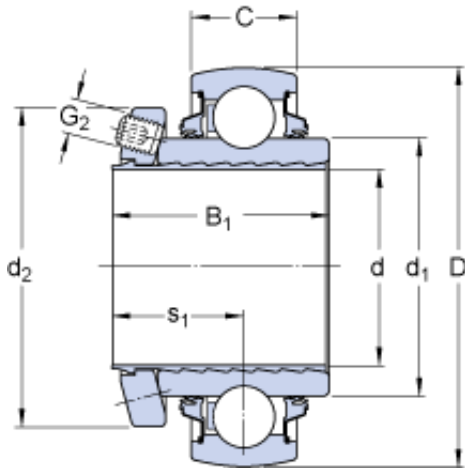




TBD Bearing Machinery Co., Ltd



YSPAG 209 Bearing 2D drawings and 3D CAD models

SKF YSPAG 209 deep groove ball bearings

Bearing No. YSPAG 209

Size	85x45x44 mm
Bore Diameter	85 mm
Outer Diameter	45 mm
Width	44 mm
d	45 mm
D	85 mm
B ₁	44 mm
C	22 mm
d ₁	56.8 mm
d ₂	67 mm
s ₁	26.5 mm
Basic dynamic load rating - C	33.2 kN
Basic static load rating - C ₀	21.6 kN
Fatigue load limit - P _u	0.915 kN
Limiting speed	850 r/min
Calculation factor - f ₀	14
Mass bearing	0.64 kg
Thread - G ₂	M6
Hexagonal key size for grub screw - H	3 mm
Category	Bearings
Inventory	0.0
Manufacturer Name	SKF
Minimum Buy Quantity	N/A
Weight / Kilogram	0



TBD Bearing Machinery Co., Ltd

Product Group	M06110
B ₁	44.2 mm
d ₁	56.8 mm
d ₂	67 mm
s ₁	26.7 mm
Basic dynamic load rating C	33.2 kN
Basic static load rating C ₀	21.6 kN
Fatigue load limit P _u	0.915 kN
Limiting speed ¹⁾	850 r/min
Calculation factor f ₀	14
Mass complete bearing	0.64 kg
Thread grub screw G ₂	M6
Hexagonal key size for grub screw N	3.05 mm
Recommended tightening torque for grub screw	7.4 N · m