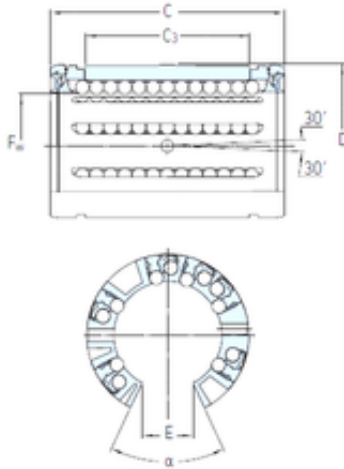




TBD Bearing Machinery Co., Ltd



SKF LBCF 40 A-2LS linear bearings

Bearing No. LBCF 40 A-2LS

Size	40x62x80 mm
Bore Diameter	40 mm
Outer Diameter	62 mm
Width	80 mm
Fw	40 mm
D	62 mm
C	80 mm
C3	56 mm
Angle ()	50 °
E	18,7 mm
Weight	0,22 Kg
Basic dynamic load rating (C)	7,8 kN

LBCF 40 A-2LS Bearing 2D drawings and 3D CAD models