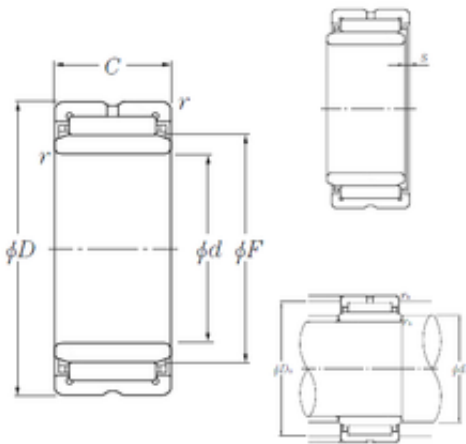




TBD Bearing Machinery Co., Ltd

70 mm x 100 mm x 40 mm 70 mm x 100 mm x 40 mm NTN NA5914 needle roller bearings

Bearing No. NA5914



NA5914 Bearing 2D drawings and 3D CAD models

Size	70x100x40 mm
Bore Diameter	70 mm
Outer Diameter	100 mm
Width	40 mm
d	70 mm
F	80 mm
D	100 mm
B	40 mm
C	40 mm
r min.	1 mm
s	1,5 mm
da min.	75 mm
Da max.	95 mm
ra max.	1 mm
Weight	1,06 Kg
Basic dynamic load rating (C)	103 kN
Basic static load rating (C0)	187 kN
(Grease) Lubrication Speed	3 300 r/min
rs min	1 mm
s max	1.5 mm
Dw	7 mm
Lw	32 mm
Lubrication hole on outer ring	Oui/Yes
k	3 mm



TBD Bearing Machinery Co., Ltd

Lubrication hole on inner ring	Non/No
Radial clearance class	CN
Precision class	P0
Mass	1.06 kg
Cr	103 kN
C0r	187 kN
Nlim (grease)	3,300 rpm
Nlim (oil)	5,000 rpm
Min operating temperature, Tmin	-20 ° C
Max operating temperature, Tmax	120 ° C
Characteristic cage frequency, FTF	0.46 Hz
Characteristic rolling element frequency, BSF	12.35 Hz
Characteristic outer ring frequency, BPF0	10.12 Hz
Characteristic inner ring frequency, BPF1	11.88 Hz
da min	75 mm
Da max	95 mm
ras max	1 mm
Category	Roller Bearings
Inventory	0.0
Manufacturer Name	NTN
Minimum Buy Quantity	N/A
Weight / Kilogram	1
EAN	4547359113808
Product Group	B04144