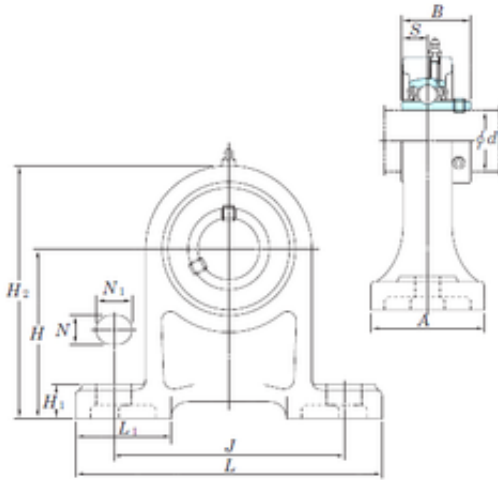




# TBD Bearing Machinery Co., Ltd

## KOYO UCPH205-15 bearing units

Bearing No. UCPH205-15



UCPH205-15 Bearing 2D drawings and 3D CAD models

Bore Diameter	23,8125 mm
Width	34,1 mm
d	23,8125 mm
A	50 mm
B	34,1 mm
H	80 mm
H1	16 mm
H2	114 mm
J	105 mm
L	140 mm
L1	49 mm
N	13 mm
N1	19 mm
S	14,3 mm
Bolt (G)	M10
Weight	1,2 Kg
Basic dynamic load rating (C)	14 kN
Basic static load rating (C0)	7,85 kN